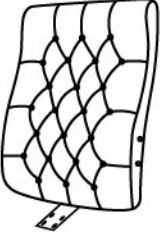
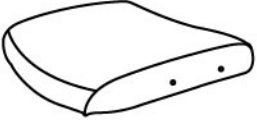

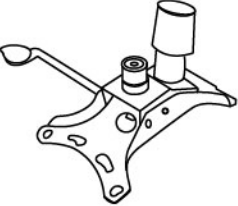
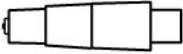
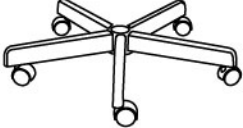
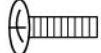
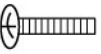
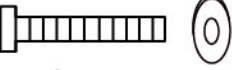


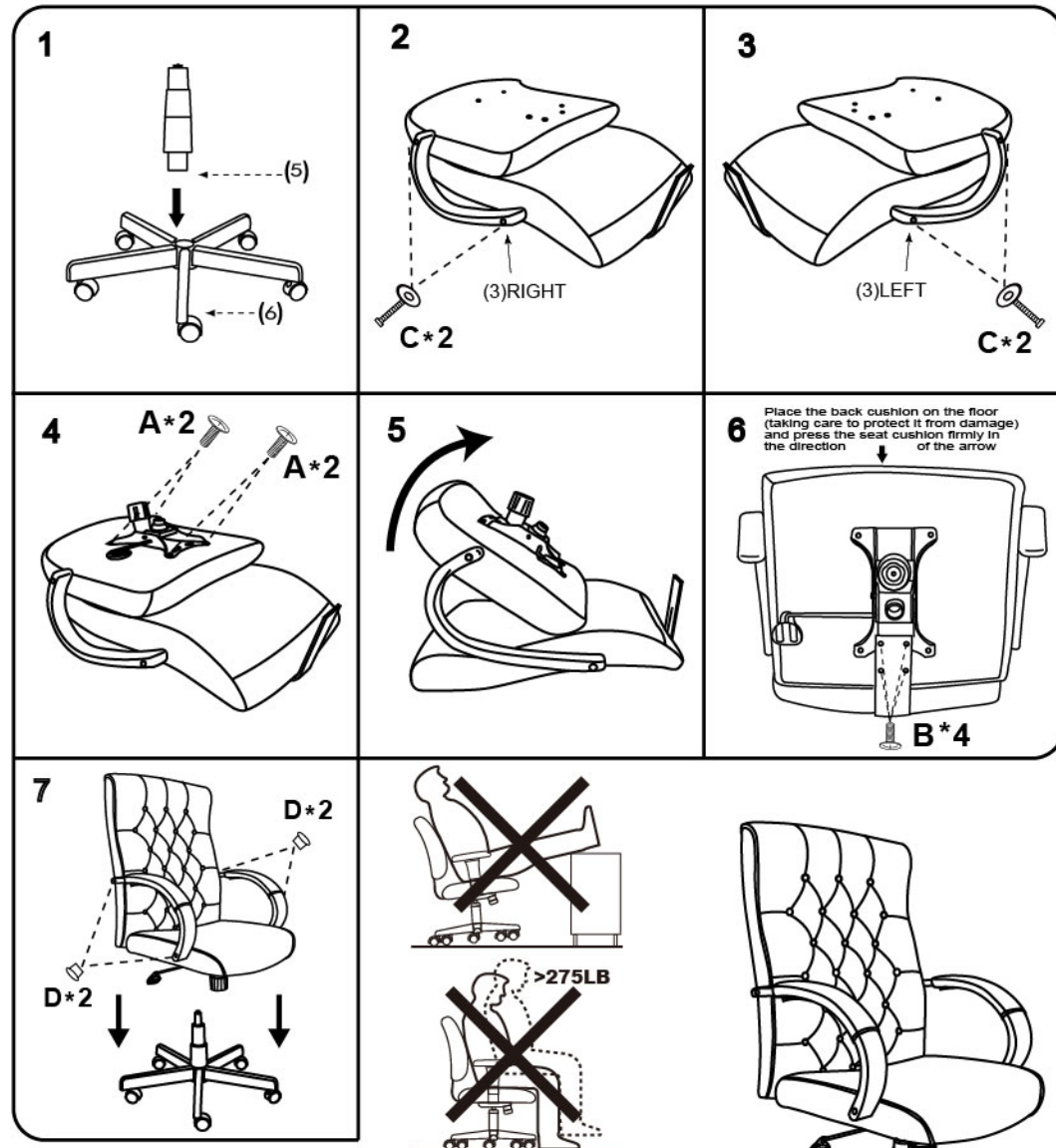


**IMPORTANT NOTICE:
HARDWARE PACKAGE IS ATTACHED ON THE BOTTOM
OF SEAT CUSHION.**

(1)x1	(2)x1	(3)x1 (L)x1 (R)
 Back Cushion	 Seat Cushion	 Left Arm & Right Arm
(4)x1	(5)x1	(6)x1
 Mechanism	 Gas Lift W/ Cover	 Base
(A)x4	 M8*22 MECHANISM SCREW	
(B)x4	 M6*30 L-BAR SCREW	
(C)x4	 M6*55 ARM SCREW	
(D)x4	 WOOD CAP	
(E)x1	 ALLEN KEY	

Teknik Office Ltd, West One 63-67 Bromham Road,
Bedford, MK40 2FG
TEL:01234 328804 FAX:01234 342446

If you encounter any problems with the operation of
your chair, please refer to the downloads section of
our web site - www.teknikoffice.co.uk



**Insert and loosely tighten all screws. When assembly
is completed, fully tighten all screws before using.
This chair is only intended for sitting. Any other use
will void the warranty.**

